

Heavy Duty Fuse Clip, 10.3x38 mm, 1000 VDC/ 600 VAC - 15 A (UL)

new



THT nickel-plated



M3 screw nickel-plated



THT tin-plated



M3 screw tin-plated

1000 VDC/ 600 VAC · 15A (UL)

**Description**

- Solder, screw or rivet mounting
- Suitable gPV fuse link ASO 10.3x38

**Unique Selling Proposition**

- Designed for high rated voltages
- Excellent price-performance ratio
- Low mounting height

**Applications**

- Photovoltaic applications
- Industrial Equipment
- Entertainment Equipment
- Direct current (DC) High voltage applications
- Chargers
- Power distribution

**References**

Fuseholder to [ASO 10.3x38](#)

**Weblinks**

[pdf data sheet](#), [html datasheet](#), [General Product Information](#), [Distributor-Stock-Check](#), [Detailed request for product](#), [Microsite](#)

**Technical Data**

|                          |                                      |
|--------------------------|--------------------------------------|
| Fuse-Link                | 10.3 x 38 / 10.3 x 85 mm             |
| Mounting                 | PCB                                  |
| Terminal                 | Solder THT / screw / rivet           |
| Rated Voltage            | 1000 VDC/600 VAC                     |
| Rated current            | 15A (UL)                             |
| Admissible Ambient Temp. | -40°C to 125°C                       |
| Material: Terminals      | Brass, nickel-plated / tin-plated 1) |
| Storage Conditions       | 0°C to 50°C, max. 70% r.h.           |

|                              |   |
|------------------------------|---|
| Soldering Methods            | Wave<br><a href="#">Soldering Profile</a>                 |
| Solderability                | 245°C / 3 sec acc. to IEC 60068-2-20, Test Ta, method 1   |
| Resistance to Soldering Heat | 260°C / 10 sec acc. to IEC 60068-2-20, Test Tb, method 1A |
| Contact Resistance           | ≤ 20 mΩ at 100 mA   |

1) Details see table of variants

Detailed information on product approvals, code requirements, usage instructions and detailed test conditions can be looked up in [Details about Approvals](#)

SCHURTER products are designed for use in industrial environments. They have approvals from independent testing bodies according to national and international standards. Products with specific characteristics and requirements such as required in the automotive sector according to IATF 16949, medical technology according to ISO 13485 or in the aerospace industry can be offered exclusively with customer-specific, individual agreements by SCHURTER.

**Approvals**

The approval mark is used by the testing authorities to certify compliance with the safety requirements placed on electronic products.

Approval Reference Type: CFO

| Approval Logo | Certificates                 | Certification Body | Description             |
|---------------|------------------------------|--------------------|-------------------------|
|               | <a href="#">UL Approvals</a> | UL                 | UR File Number: E312155 |

**Product standards**

Product standards that are referenced

| Organization | Design                | Standard             | Description                  |
|--------------|-----------------------|----------------------|------------------------------|
|              | Designed according to | UL 4248-1            | Industrial Control Equipment |
|              | Designed according to | CSA C22.2 no. 4248.1 | Industrial Control Equipment |





**Application standards**

Application standards where the product can be used

| Organization | Design                         | Standard       | Description   |
|--------------|--------------------------------|----------------|---|
|              | Suitable for applications acc. | IEC/UL 62368-1 | Audio/video, information and communication technology equipment - Part 1: Safety requirements |

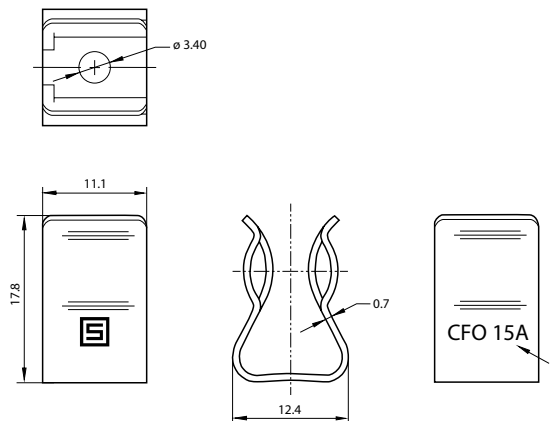
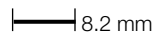
**Compliances**

The product complies with following Guide Lines

| Identification   | Details  | Initiator   | Description   |
|--|--|-------------|---|
|  | <a href="#">CE declaration of conformity</a>   | SCHURTER AG | The CE marking declares that the product complies with the applicable requirements laid down in the harmonisation of Community legislation on its affixing in accordance with EU Regulation 765/2008. |
|  | <a href="#">UKCA declaration of conformity</a> | SCHURTER AG | The UKCA marking declares that the product complies with the applicable requirements laid down in the British Amendment of Regulation (EC) 765/2008.  |
|  | RoHS   | SCHURTER AG | Directive RoHS 2011/65/EU, Amendment (EU) 2015/863  |
|  | China RoHS                                     | SCHURTER AG | The law SJ / T 11363-2006 (China RoHS) has been in force since 1 March 2007. It is similar to the EU directive RoHS.  |

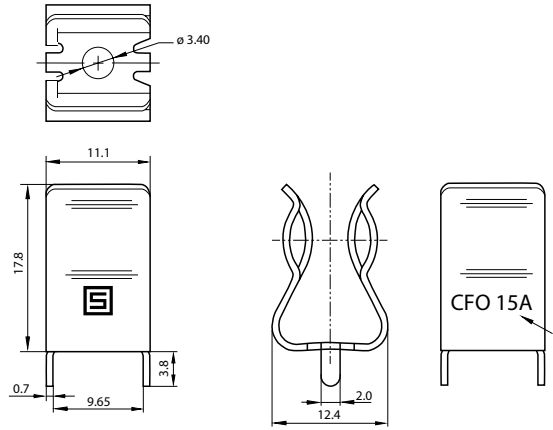
**Dimension [mm]**

Screw or rivet version M3



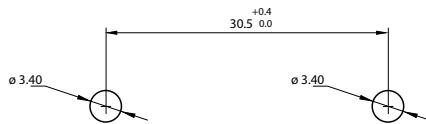
A= Current Rating

Solder THT version

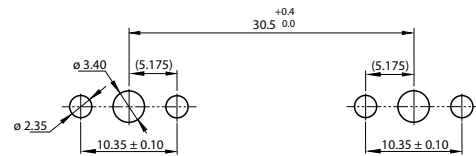


A= Current Rating

Drilling diagram M3



Drilling diagram THT



Holes specification (for 10x38 mm fuse)

Holes specification (for 10x38 mm fuse)

All Variants

| Weight | Terminal         | Packaging                            | Admissible Ambient Temp. | Coating       | Order Number |
|--------|------------------|--------------------------------------|--------------------------|---------------|--------------|
| 3g     | Solder / THT     | Bulk 275 x 205 x 21.5 mm (2000 pcs.) | -40 °C to 125 °C         | Nickel-plated | 8040.2012    |
| 3g     | Solder / THT     | Bulk 165 x 128 x 85 mm (200 pcs.)    | -40 °C to 125 °C         | Nickel-plated | 8040.2012.01 |
| 3g     | Solder / THT     | Bulk 275 x 205 x 21.5 mm (2000 pcs.) | -40 °C to 125 °C         | Tin-plated    | 8040.2015    |
| 3g     | Solder / THT     | Bulk 165 x 128 x 85 mm (200 pcs.)    | -40 °C to 125 °C         | Tin-plated    | 8040.2015.01 |
| 3.1 g  | Screw / Rivet M3 | Bulk 275 x 205 x 21.5 mm (2000 pcs.) | -40 °C to 125 °C         | Nickel-plated | 8040.2002    |
| 3.1 g  | Screw / Rivet M3 | Bulk 165 x 128 x 85 mm (200 pcs.)    | -40 °C to 125 °C         | Nickel-plated | 8040.2002.01 |
| 3.1 g  | Screw / Rivet M3 | Bulk 275 x 205 x 21.5 mm (2000 pcs.) | -40 °C to 125 °C         | Tin-plated    | 8040.2005    |
| 3.1 g  | Screw / Rivet M3 | Bulk 165 x 128 x 85 mm (200 pcs.)    | -40 °C to 125 °C         | Tin-plated    | 8040.2005.01 |

Most Popular.

Availability for all products can be searched real-time: <https://www.schurter.com/en/info-center/support-tools/stock-check-distributors>